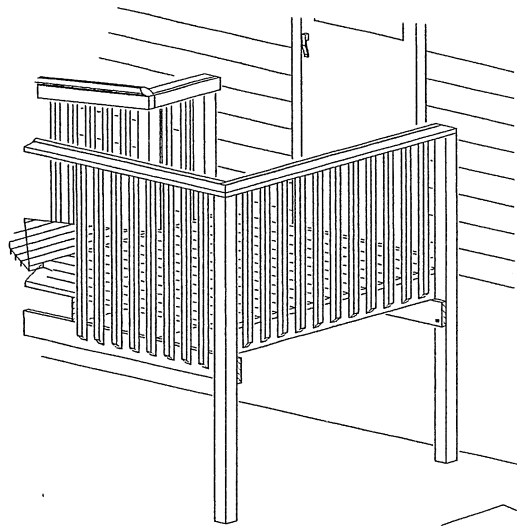


TYPICAL RAMP, DECK AND LANDING CONSTRUCTION DETAILS

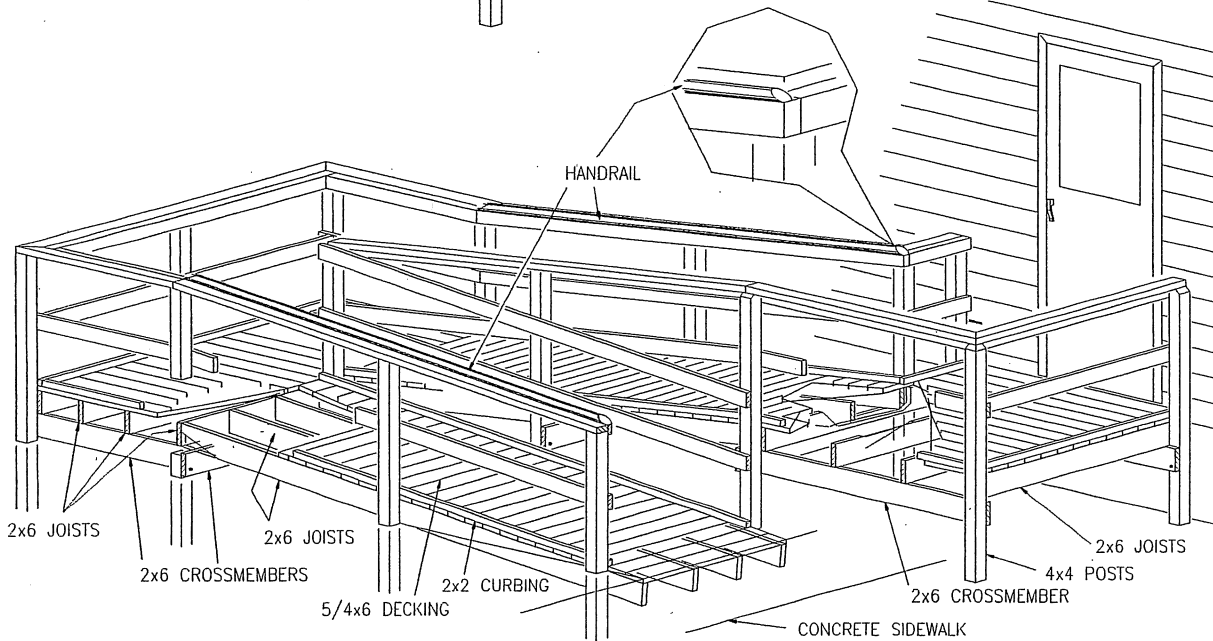
WHEN DECK, RAMP OR LANDING IS 30" OR MORE ABOVE GRADE, ELIMINATE 2x2 CURBING AND CENTER 2x4 RAIL. INSTALL 2x2 SPINDLES AS SHOWN.

RAMP SLOPE IS 1" RISE PER EACH 12" OF RUN

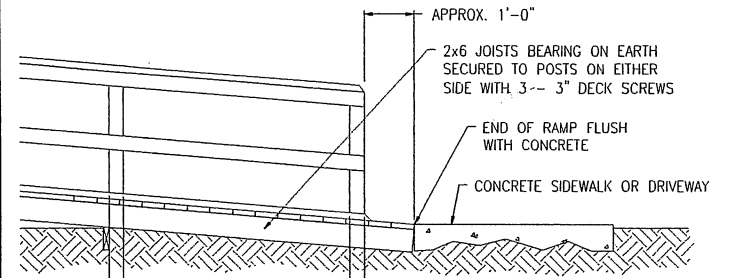


CONFIGURATION, SIZE, SHAPE AND APPEARANCE OF RAMP, DECK AND LANDINGS MAY VARY DUE TO INDIVIDUAL SITE REQUIREMENTS.

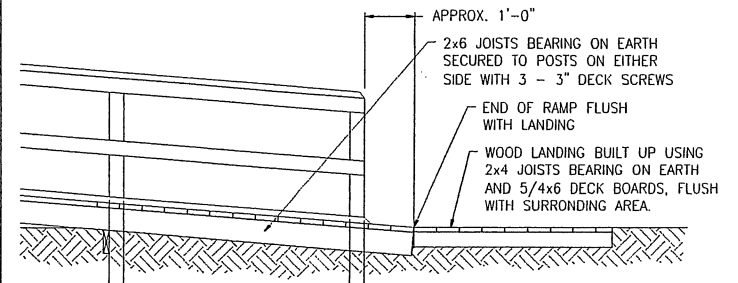
REFER TO SPECIFIC SITE DRAWING AND OTHER INFORMATION FURNISHED BY LOVE, INC.



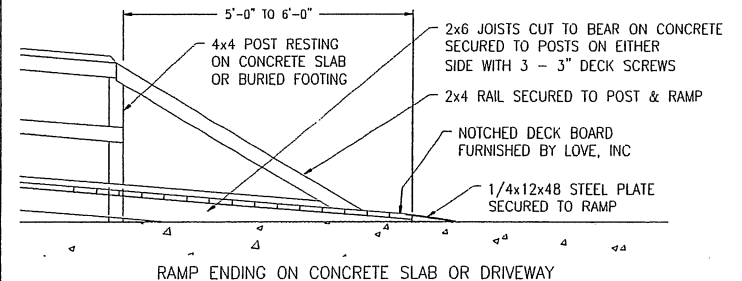
TYPICAL CONSTRUCTION DETAILS AT END OF RAMP



RAMP ENDING AT CONCRETE SIDEWALK OR DRIVEWAY



RAMP ENDING IN YARD OR GRAVEL DRIVEWAY



RAMP ENDING ON CONCRETE SLAB OR DRIVEWAY

RAMP SPECIFICATIONS

Contractors: Are to check all supplied drawings and specifications and also with local building inspector. Unless there is a more stringent local requirement, these drawings and specifications are to be followed. ANY deviation that results in failure of inspector approval is the responsibility of the contractor to correct. It is expected that any damage to the home by the contractor in the construction of this ramp will be repaired by the contractor.

Location: Ramps must be located a safe distance out from the roofline to avoid the dangers of falling ice and ice/snow buildup in the wintertime. This will also decrease maintenance problems. If not possible, home occupant to be informed that rain gutters and downspouts need to be installed by others.

Slope: Slope of ramp sections generally shall be one foot rise in twelve feet. (1:12 gradient). ABSOLUTE MAXIMUM ALLOWABLE SLOPE (for 10'-0" RUN or less) one foot in ten feet, (for 8'-0" RUN or less) one foot in eight feet.

Width: Standard width of ramp is 48 inches between supporting posts. (Minimum 44")

Railings: Railings shall be provided on both sides of ramps, no less than 34", and no more than 38 inches, in height, measured from the surface of the ramp. Railings shall be smooth and shall extend to walls or posts at the ends. Railings shall be designed to withstand an applied load of 200 pounds in any direction at any point.

Handrails Hand gripping handrails shall be provided on one side of all sloping portions of the ramp.

Landings: Landings shall be provided at all ramp points of turning, entrance, exiting and doors and at a maximum of 30-foot intervals. All landings shall be of such length and width as to provide a minimum of 42 inches clear from any door-swing to the ramp. Minimum landing dimensions for exit door which swings onto landing is 5'-0" x 5'-0" and shall extend at least one foot beyond each side of the doorway. Minimum dimensions when a door that does not swing onto landing is 4'-0" x 5'-0". Landing shall be constructed so there is no more than one-half inch from finished landing to top of door sill or bottom edge of door. Slope of landings must not exceed one inch in four feet (1:48 gradient) in any direction.

Deck Surface: All ramp and landing deck surfaces shall be non-slip, green-treated decking material and have two by two side curbs or spindles on each side.

CONSTRUCTION

All 4x4 posts, 2x6 crossmembers and joists shall be green treated "suitable for ground contact". Contractor shall save all cut-off ends of 4x4's and 2x6's with material I.D. tags – for inspector.

NOTE: All portions of ramps and landings over 30 inches above ground shall have 2 x 2 spindles installed 5" max. on center (a 4" diameter sphere cannot pass between spindles). 2x2 side curbing not required in areas that have spindles. All open sides are to be so guarded.

Ramp: Ramp shall be made of four - 2" x 6" joists, 16 inches on center max., supported with 2" x 6" cross members, attached to 4x4 posts, every 7 feet or less. Cross members shall be attached to supports with 5/16 x 4" lag screws. If joists are butted together, they shall be scabbed with 2" x 6" x 3' min. and be attached with 3" screws. A steel plate 1/4" thick, 12" wide and 48" long is to be used to span the 1 1/4" thickness at the end of the ramp if ramp ends on concrete. Plate is to lap 1-1/2" on last deck board and be fastened with flat-head screws counter-sunk into top of plate. Plate to be covered with non-slip material.

Landings: Landings shall be constructed of 2" x 6" joists, 16 inches on center max. supported with 2" x 6" cross members, attached to 4x4 posts, every 7 feet or less.

Decking: The decking of the ramp and landings shall be 1 1/4" x 6 green treated decking material.

Railings: Railings and supports shall be made of green treated wood 2" x 4" min.

Handrails: Handrails shall be attached to railings of sloping portions of ramp with 3" screws - 24" maximum between screws. Handrails to be angle cut & sanded at each end.

Side Curbs: 2" x 2" side curbs are required on outer edges of ramps and landings that do not have spindles.

Refer to TYPICAL RAMP CONSTRUCTION detail drawings furnished by LOVE, INC.